

PRODUCT INFORMATION PACKET



Model No: A4P11NZ76A

Catalog No: 103717.00

..1/3HP..1200RPM.48Y.TEAO.115V.1PH.60HZ.CONT.40C.1.0SF.YOKE.....FAN.....

Pedestal Fan



Regal and Leeson are trademarks of Regal Beloit Corporation or one of its affiliated companies.

©2018 Regal Beloit Corporation, All Rights Reserved. MC017097E





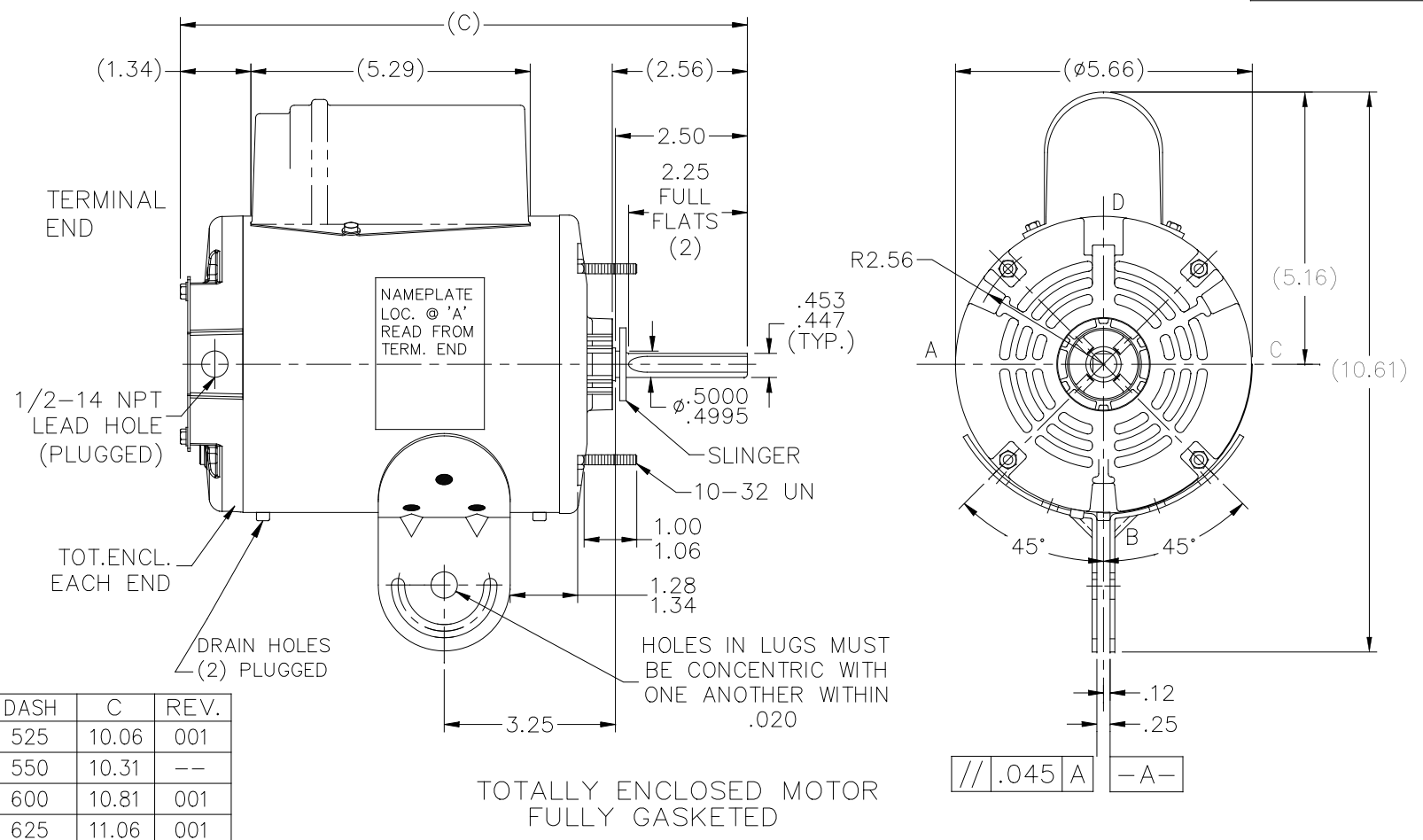
Nameplate Specifications

Output HP	0.33 Hp	Output KW	0.25 kW
Frequency	60 Hz	Voltage	115 V
Current	4.2 A	Speed	1075 rpm
Service Factor	1	Phase	1
Efficiency	62.4 %	Duty	Continuous
Insulation Class	B	Design Code	N
KVA Code	C	Frame	48Z
Enclosure	Totally Enclosed Air Over	Overload Protector	Automatic Lock Rotor Only
Ambient Temperature	40 °C	Drive End Bearing Size	6203
Opp Drive End Bearing Size	6203	UL	Recognized
CSA	Y	CE	N
IP Code	43		

Technical Specifications

Electrical Type	Permanent Split Capacitor	Starting Method	Across The Line
Poles	6	Rotation	Selective Counterclockwise
Mounting	Round - Swing Arm	Motor Orientation	HORIZONTAL
Drive End Bearing	BALL	Opp Drive End Bearing	BALL
Frame Material	Rolled Steel	Shaft Type	Single Special Extension
Overall Length	10.06 in	Frame Length	5.25 in
Shaft Diameter	0.625 in	Shaft Extension	2.56 in
Assembly/Box Mounting	F1 ONLY		
Outline Drawing	A-SS403994LE-525	Connection Diagram	A-005548.01

SS403994LE



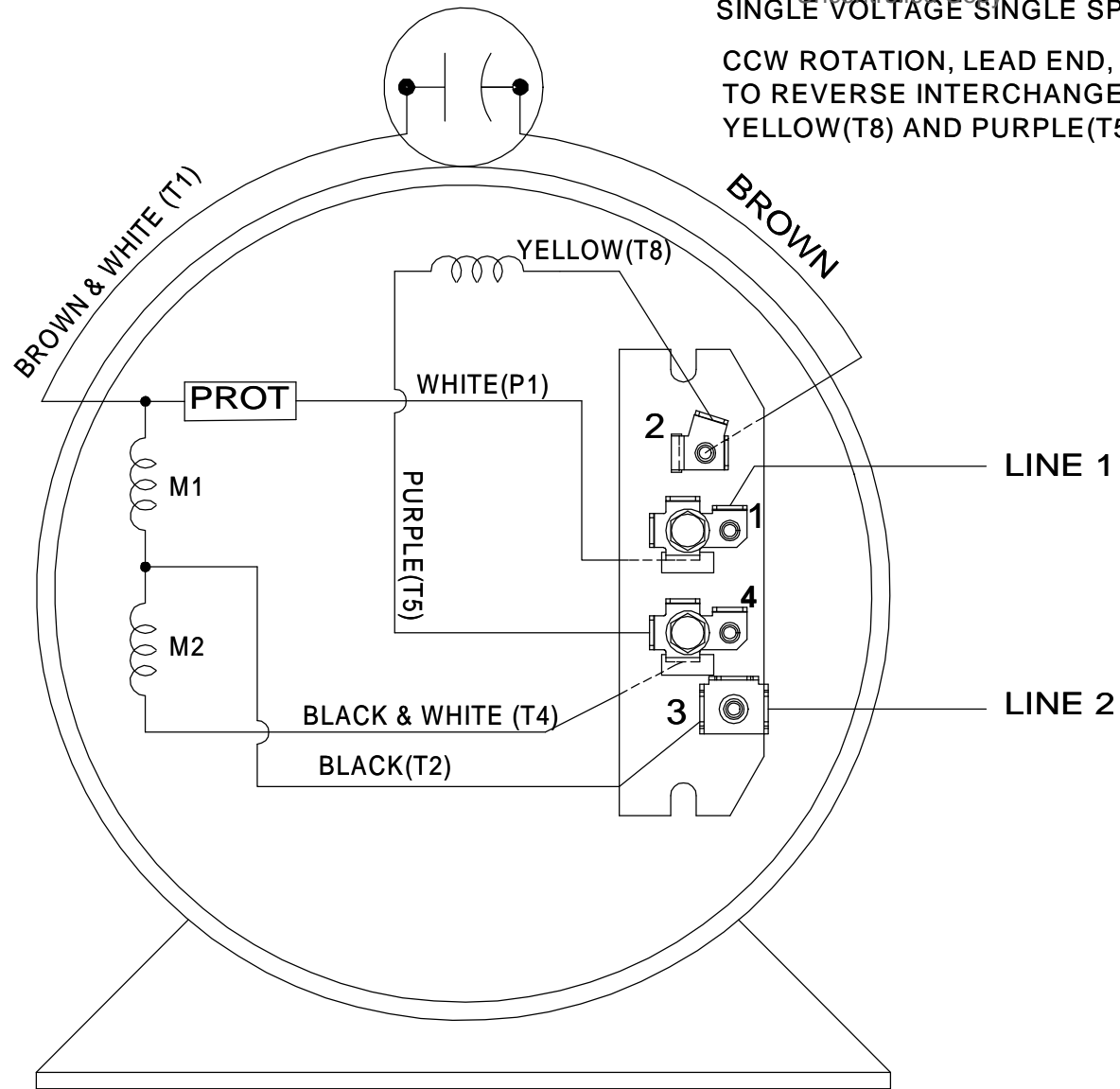
DASH	C	REV.
525	10.06	001
550	10.31	--
600	10.81	001
625	11.06	001

TOTALLY ENCLOSED MOTOR
FULLY GASKETED

DASH		C	REV.	TOLERANCES UNLESS SPECIFIED		LEESON	ELECTRIC MOTORS GEARMOTORS AND DRIVES	DRAWN SVL 1-7-2012								
NO.	REVISION	BY & DATE	CHK	ANG	DEC.			INCHES	APPD SVL 1-7-2012	CHK						
D	1.00/1.06 WAS .94/1.00 ECO 0107818	GWS 8/16/16			.X	±	TITLE OUTLINE 48 FR.	SCALE	3=8							
					.XX	±.03	MAT'L.	REF	SS403014							
					.XXX	±.005	FINISH	FMF	MU111579							
					.XXXX	±.0005		PREV								
THIS DRAWING IN DESIGN AND DETAIL IS OUR PROPERTY AND MUST NOT BE USED EXCEPT IN CONNECTION WITH OUR WORK ALL RIGHTS OF DESIGN AND INVENTION ARE RESERVED THIS IS AN ELECTRONICALLY GENERATED DOCUMENT - DO NOT SCALE THIS PRINT							RFP	1-7-2012	CAD FILE	SS403994LE	SIZE	A	DRAWING NO.	PAGE 1 OF 1	REV.	D
							DIST	WP					SS403994LE			

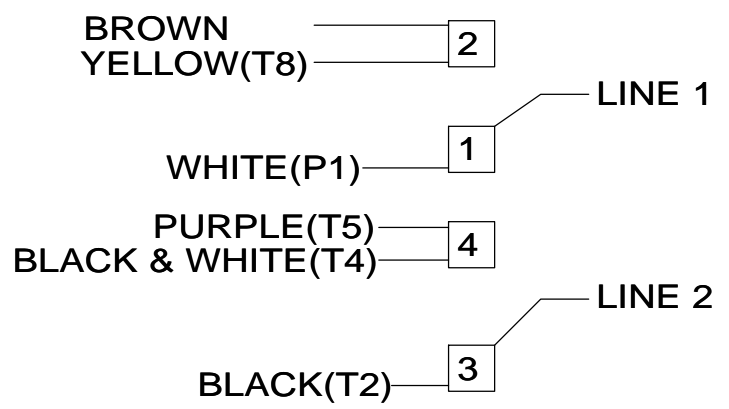
SINGLE VOLTAGE SINGLE SPEED

CCW ROTATION, LEAD END, SHOWN
TO REVERSE INTERCHANGE
YELLOW(T8) AND PURPLE(T5) LEADS.



VIEW OF TERMINAL END

CONNECTION DIAGRAM



NOTE: USE T & P MARKINGS WHEN CALLED IN BOM

DRAWING REVISION A		REVISION BY DS	DATE 04/04/2018	TOLERANCES UNLESS OTHERWISE SPECIFIED:		DRAWN BY DS		Regal Beloit America, Inc.			
ECO ECO-0142658		APPROVED BY VY	DATE 04/04/2018	DEC.	INCH	mm	ANGLE			DATE 04/04/2018	
ECO DESCRIPTION NEW DRAWING				.X	±0.1	[±2.5]	±0.5°	APPROVED BY VY	DESCRIPTION CONN DIAGRAM-EXTERNAL C TYPE WITH PROTECTOR		
COPYRIGHT REGAL BELOIT AMERICA, INC. ALL RIGHTS RESERVED. PROPRIETARY AND CONFIDENTIAL INFORMATION - THIS DOCUMENT IS THE PROPERTY OF REGAL BELOIT AMERICA, INC. ("OWNER") AND CONTAINS OWNER'S PROPRIETARY INFORMATION. ANY PERSON, CORPORATION OR OTHER FIRM RECEIVING IT IS DEEMED, BY RECEIVING IT, TO AGREE THAT IT, AND/OR ANY PART OF IT, SHALL NOT BE DISCLOSED TO ANY PERSON, CORPORATION OR OTHER ENTITY, DUPLICATED, AND/OR USED, EXCEPT AS EXPRESSLY APPROVED IN WRITING IN ADVANCE BY OWNER. THIS DOCUMENT SHALL BE RETURNED TO OWNER UPON REQUEST. IT MAY BE SUBJECT TO CERTAIN RESTRICTIONS UNDER APPLICABLE EXPORT CONTROL LAWS AND REGULATIONS.				.XX	±0.01	[±0.25]		DATE 04/04/2018	MATERIAL		
				.XXX	±0.005	[±0.127]		REFERENCE 00553201	PROCESS/FINISH		
				.XXXX	±0.0005	[±0.0127]		THIRD ANGLE PROJECTION	SIZE A	DRAWING NUMBER 00554801	SHEET 1 OF 1
				REMOVE BURRS & BREAK SHARP EDGES: .003/.015 [.076/.381] CORNER FILLETS: .02 [.51] MACHINED SURFACES: 125/ mm 3.2/ INCH mm							
				mm SHOWN IN [BRACKETS]							

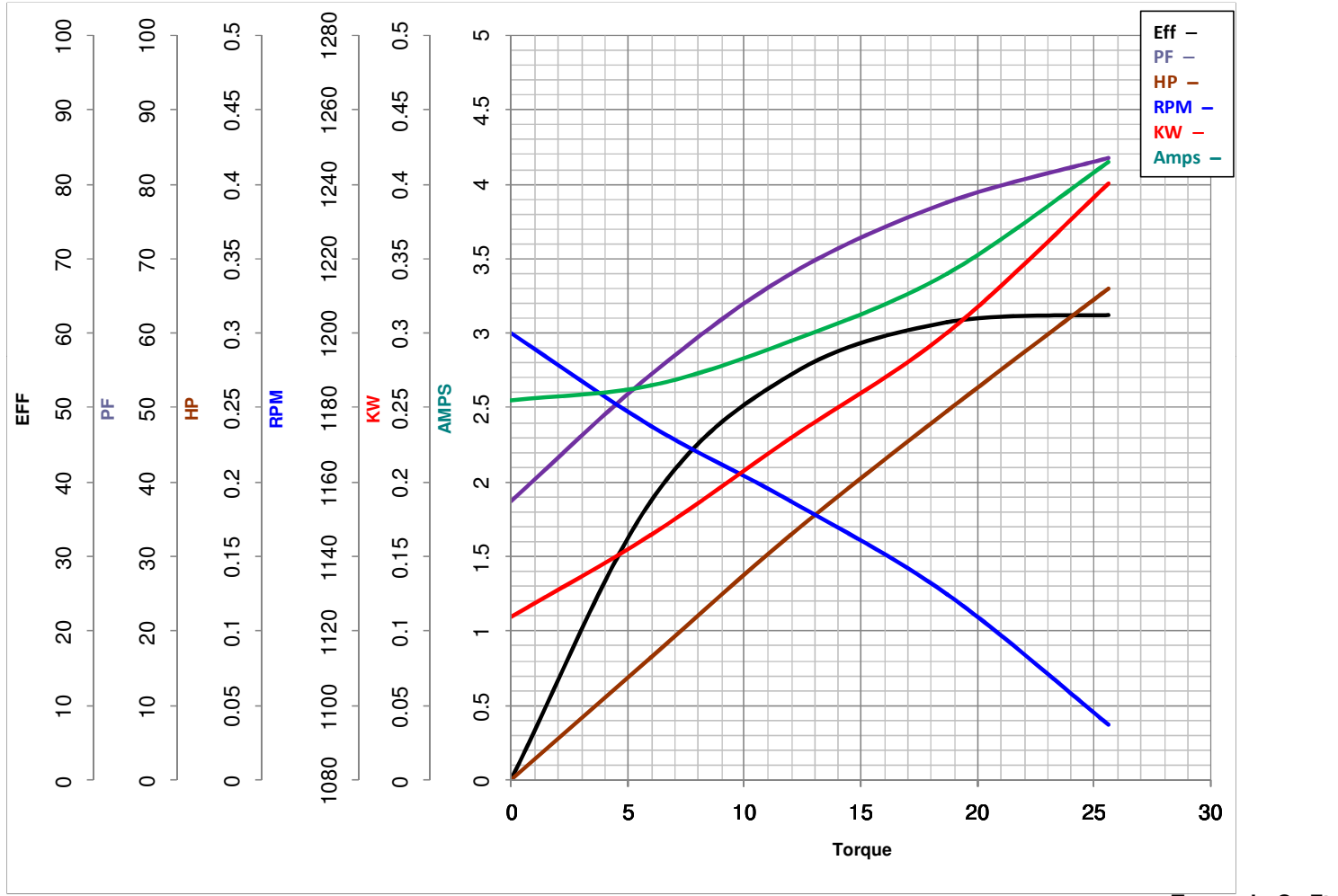


Model No 103717.00

Catalog No 103717.00

LEESON ELECTRIC CORPORATION
 TYPICAL PERFORMANCE CURVE for AC MOTOR

Curve at 115 Volts HP 0.33 PHASE 1
60 HZ
0.33 HP VOLTS 115
 HZ 60 RPM 1075



FL TORQUE	<u>25.6</u> Oz.Ft	FL AMPS	<u>4.15</u>
BD TORQUE	<u>36.0</u> Oz.Ft	PU TORQUE	<u>7.2</u> Oz.Ft
LR TORQUE	<u>7.65</u> Oz.Ft	LR AMPS	<u>10.4</u>
WINDING	PE4861980-1	Date	4/11/2018